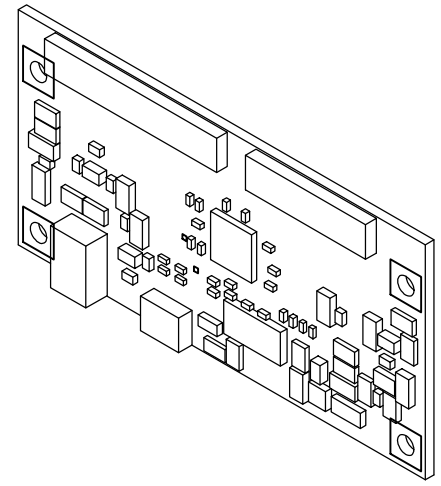
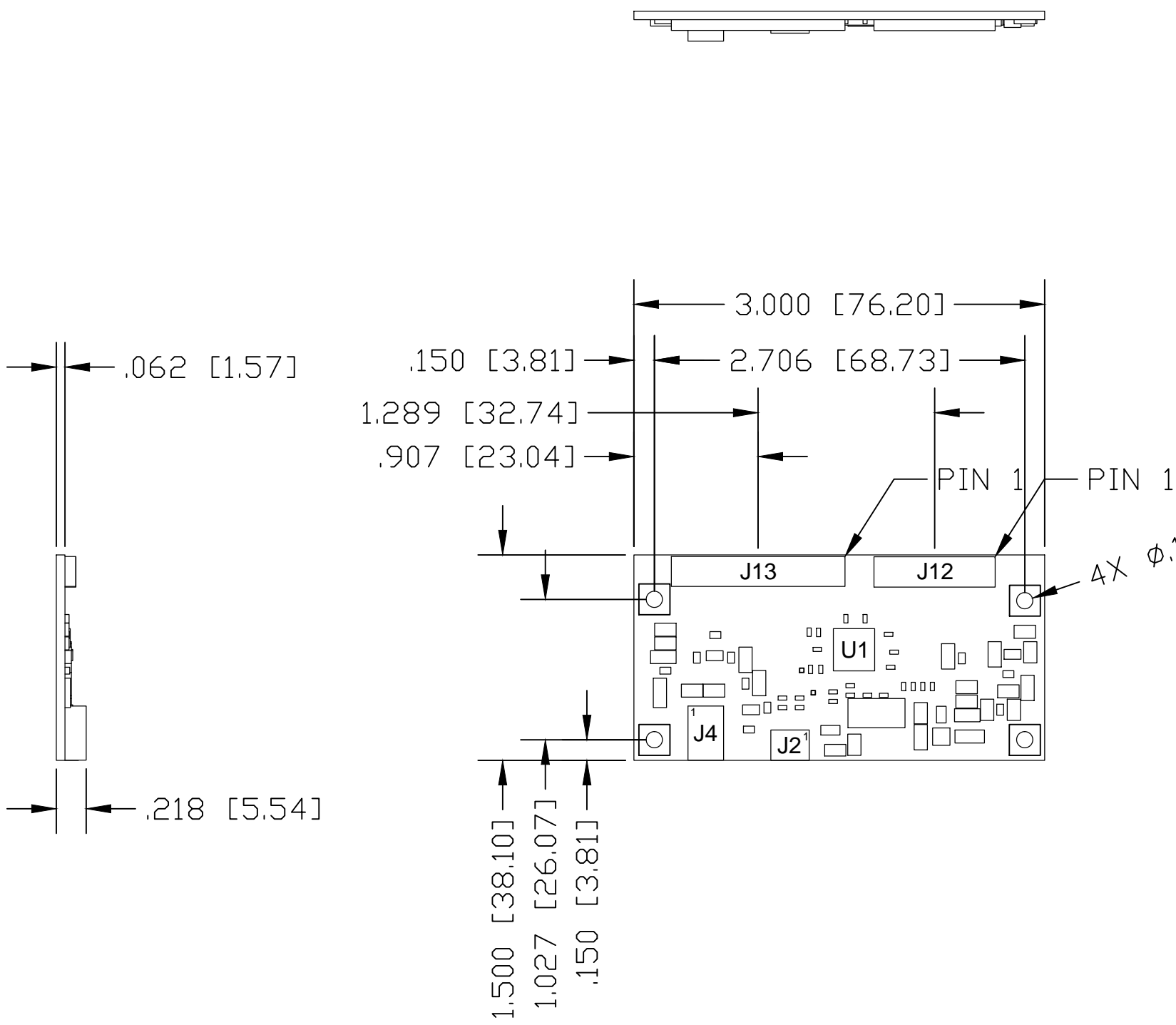


8 7 6 5 4 3 2 1

REVISIONS			
REV.	DESCRIPTION	DATE	APPROVED
1	RELEASED	6/17/13	DW

D
C
B
A



J12 PINOUT	
1	GND
2	X0
...	...
33	X31
34	GND

J13 PINOUT	
1	GND
2	Y0
...	...
53	Y51
54	GND
55	GND

J4 PINOUT	
1	VCC
2	D-
3	D+
4	ID
5	GND

J2 PINOUT	
1	VIN
2	GND
3	SDA
4	SCL
5	CHG
6	RESET

UNLESS OTHERWISE SPECIFIED: THE INFORMATION CONTAINED IN THIS DRAWING IS THE SOLE PROPERTY OF CLARUS VISION. ANY REPRODUCTION IN PART OR AS A WHOLE WITHOUT THE WRITTEN PERMISSION OF CLARUS VISION IS PROHIBITED.	DRAWN	NAME	DATE	
	CHECKED	DW	6/17/13	
	ENG APPR.			
	PROPRIETARY AND CONFIDENTIAL DIMENSIONS ARE IN INCHES TOLERANCES: FRACTIONAL ±1/64 ANGULAR: MACH ±1° BEND ±1° TWO PLACE DECIMAL ±.020 THREE PLACE DECIMAL ±.015 FOUR PLACE DECIMAL ±.010 FIVE PLACE DECIMAL ±.005			TITLE: 10.2" TO 15.6" TOUCH CONTROLLER
MATERIAL	SIZE	DWG. NO.	REV	
FINISH	B	PC-000023	01	
DO NOT SCALE DRAWING	SCALE: 1:1	WEIGHT:	SHEET 1 OF 1	

8 7 6 5 4 3 2 1