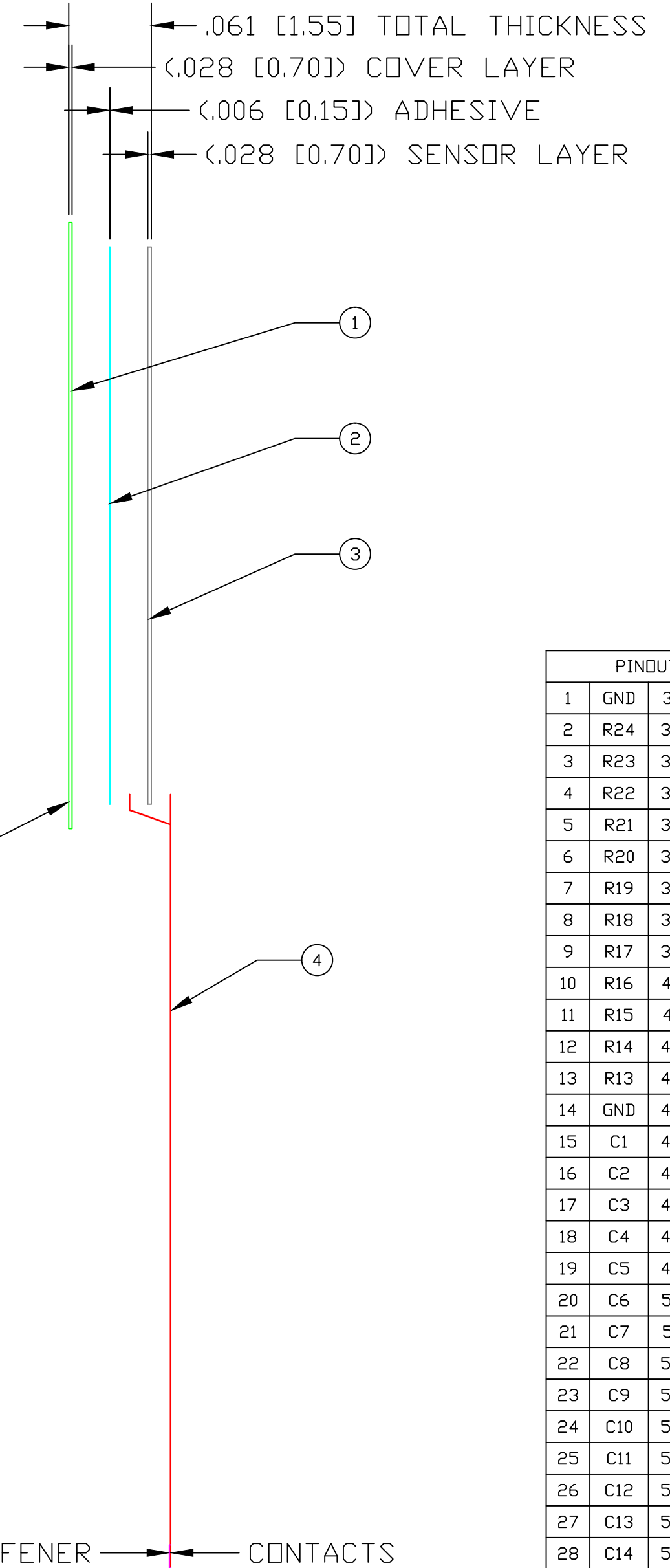
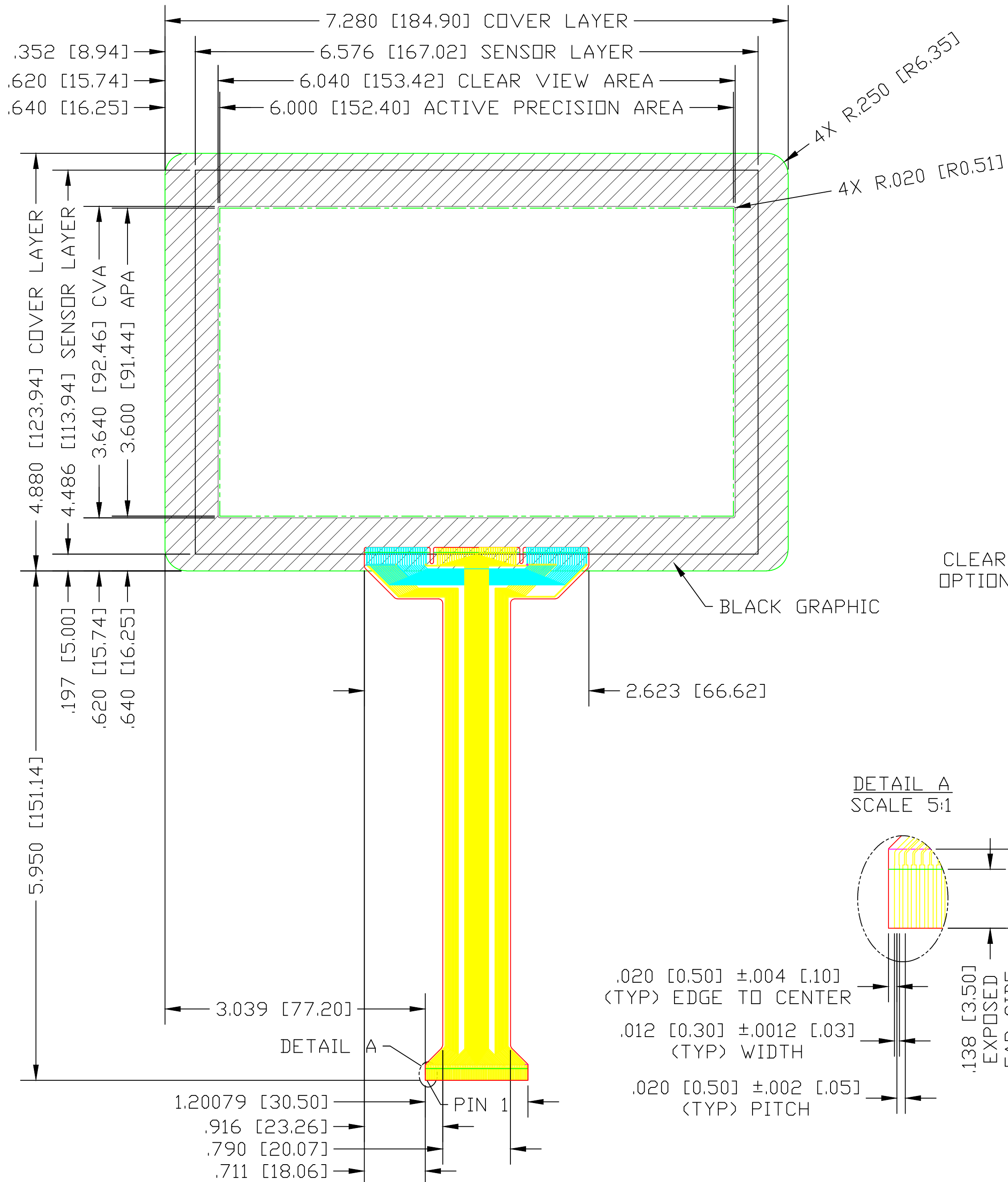
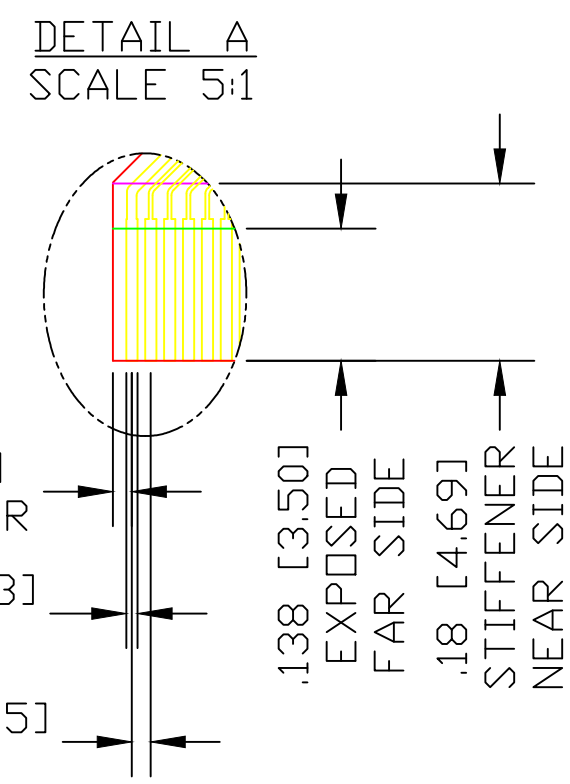


REVISIONS			
REV.	DESCRIPTION	DATE	APPROVED
1	RELEASED	6/12/13	DW



PINOUT			
1	GND	31	C17
2	R24	32	C18
3	R23	33	C19
4	R22	34	C20
5	R21	35	C21
6	R20	36	C22
7	R19	37	C23
8	R18	38	C24
9	R17	39	C25
10	R16	40	C26
11	R15	41	C27
12	R14	42	C28
13	R13	43	C29
14	GND	44	C30
15	C1	45	C31
16	C2	46	C32
17	C3	47	GND
18	C4	48	R1
19	C5	49	R2
20	C6	50	R3
21	C7	51	R4
22	C8	52	R5
23	C9	53	R6
24	C10	54	R7
25	C11	55	R8
26	C12	56	R9
27	C13	57	R10
28	C14	58	R11
29	C15	59	R12
30	C16	60	GND



ITEM NO.	PART NUMBER	DESCRIPTION	QTY
1	G-000036	S-070-000005 CHEM. STR. COVER LAYER	1
2	AG-000023	S-070-000005 OPTICALLY CLEAR ADHESIVE	1
3	G-000035	S-070-000005 DITO SENSOR LAYER	1
4	PC-000032	S-101-000009 FPC TAIL	1

UNLESS OTHERWISE SPECIFIED:

DIMENSIONS ARE IN INCHES
 TOLERANCES:
 TWO PLACE DECIMAL ±.020
 THREE PLACE DECIMAL ±.015
 FOUR PLACE DECIMAL ±.010
 FIVE PLACE DECIMAL ±.005

DRAWN: DW 7/12/13
 CHECKED:
 ENG APPR.:

MATERIAL:
 FINISH:
 DO NOT SCALE DRAWING

NAME: DW
 DATE: 7/12/13

PROPRIETARY AND CONFIDENTIAL
 THE INFORMATION CONTAINED IN THIS DRAWING IS THE SOLE PROPERTY OF CLARUS VISION. ANY REPRODUCTION IN PART OR AS A WHOLE WITHOUT THE WRITTEN PERMISSION OF CLARUS VISION IS PROHIBITED.

Clarus Vision

TITLE: 070-P-M-A-G-DG-F

SIZE: C DWG. NO. S-070-000006 REV 01

SCALE: 1:1 WEIGHT: SHEET 1 OF 1